

RITABLE

. 10 2025 .
.



2.601-2019



1
2
3
4
5
6
7
8
9
10
11
12

2
2
2
2
2
2
3
3
4
4
5
5

1.

RITABLE

2.

HEBEI RITAI ORIGINALPIPE CO.,LTD

: 2, , , ,

: « », 143440, , .
, 23, 3, 211.www.RITABLE.ru

3.

RITABLE

,

50

4.

•

;

•

/

5.

1 –

1101880034	RITABLE	R " - G ^{3/4} "
1101870034	RITABLE	R ^{3/4} " - G ^{3/4} "
110189001234	-	R ^{3/4} " R ^{1/2} "

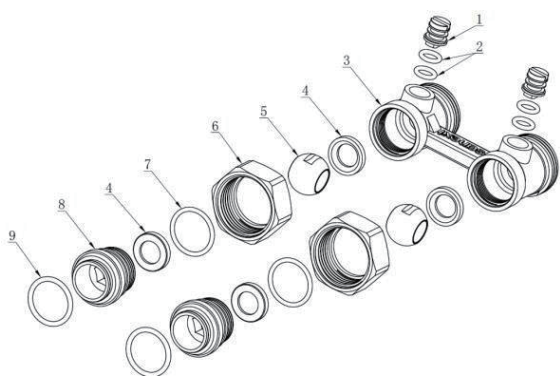
6.

RITABLE

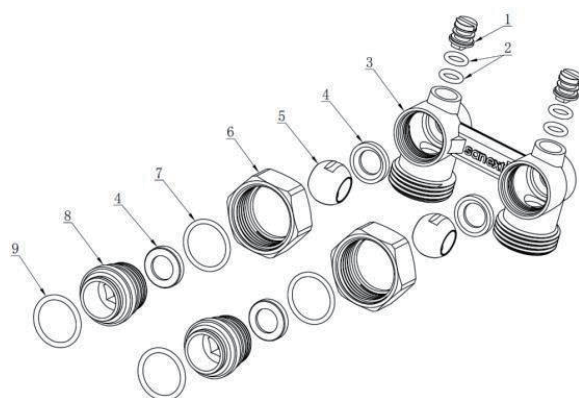
7.

2 -

1			10
2		°C	120
3			50
4			R ^{3/4}
5			G ^{3/4}



1 -

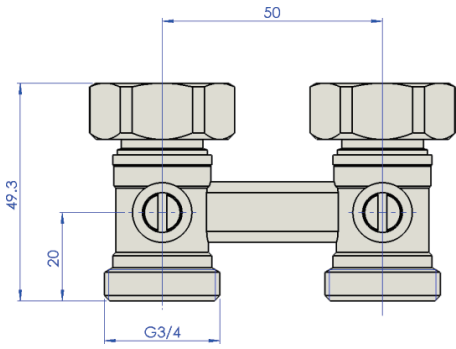


2 -

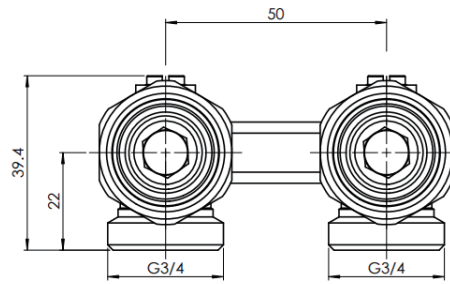
3 -

1		
2		EPDM
3		
4		
5		
6		
7		EPDM
8		
9		EPDM

8.



3-



9.

,

RITABLE

RITABLE

RITABLE

/ ;

.110189001234.

;

10.

4 -

16*3/4-2.0	16 2,0-G ³ / ₄	11018500163420	
16*3/4-2.2	16 2,2-G ³ / ₄	11018500163422	
20*3/4-2.0	20 2,0-G ³ / ₄	11018500203420	
20*3/4-2.8	20 2,8-G ³ / ₄	11018500203428	

T	, 15*3/4'	L	d15xG3/4	11018500163420	
	1/2-3/4		R3/4 -G 1/2	110189001234	
	, 16*15-L250	-	16*15-L250	1101715051615250	
	, 16*15-L250	-	20*15-L250	1101715052015250	
Easy Expansion	, 16*15-L250	-	16*15-L250	110148051615250	
Easy Expansion	, 20*15-L250	-	16*15-L250	110148052015250	
	, 16*15-L250	-	16*15-L250	1101716051615250	
	, 20*15-L250	-	20*15-L250	1101716052015250	
Easy Expansion	, 16*15-L250	-	16*15-L250	110149051615250	
Easy Expansion	, 20*15-L250	-	16*15-L250	110149052015250	
	, 16		ø16	110171040016	
	, 20		Ø20	110171040020	
	, 16		ø16	110161010016	
	, 20		Ø20	110161010020	

11.

RITABLE

.12 53672-2009.

12.

RITABLE

:

• .11 ;

• .9 ;

5

,

.

:

;

•

•

;

(. .);

•

.

•

,

,

– 10 .